

Business Network	Corporate Office	International Business Division	Marketing Division	Global Service HQ
	BEML Soudha, 23/1, 4th Main, S.R. Nagar, Bangalore-560 027	BEML Soudha, 23/1, 4th Main, S.R. Nagar, Bangalore-560 027	5th Floor, Unity Building, J.C. Road, Bangalore-560 002	C-6, Central Hingna Road, MIDC Industrial Area, Hingna, Nagpur-440 028
	T + 91 80 22963240, 22963250 F + 91 80 22963278/516/280/164	T + 91 80 22222730, 22233350 22963187, 22963215 F + 91 80 22224874	T + 91 80 22963501/02/07/510/553 F + 91 80 22963541	T + 91 7104 287097/287098 F + 91 7104 287099
	E-mail: office@cpd.beml.co.in office@pr.beml.co.in	E-mail: office@export.beml.co.in	E-mail: m@beml.co.in bemldealer@dealer.beml.co.in	E-mail: ss.servicehq@gmail.com ss@servicehq.beml.co.in

# BL9H

## BACKHOE LOADER

- More Productivity
- Powerful & Economical Engine
- Easy Manueverability
- Easy Maintenance
- More Operator Comfort
- More Reliability

### REGIONAL OFFICES

<b>Bengaluru</b> No. 23/1, Haudin Road Cross, Ulsoor Road, Bengaluru - 560 008 Karnataka.	T + 91 80 22963590 F + 91 80 255581856 E-mail: mg@beml.co.in
<b>Bilaspur</b> 1/A, Sector-C, Sirgitti Industrial Area, P.O: Tirra, Bilaspur - 495 223. Chattisgarh.	T + 91 7752 252745, 252598 F + 91 7752 252065 E-mail: bilaspur@rm.beml.co.in
<b>Chennai</b> Flat No. 10&11, Supriya Estates, Sterling Road, Nungambakkam, Chennai - 600 034, Tamil Nadu	T + 91 44 28276576 / 28220844 F + 91 44 28257319 E-mail: chennai@rm.beml.co.in
<b>Dhanbad</b> Kamal Kunj, Kola Kusuma, Saraidhela, Dhanbad - 828 127 Jharkhand	T + 91 326 2200180 / 2208982/5827 F + 91 326 2200182 E-mail: dhanbad@rm.beml.co.in
<b>Hyderabad</b> 3-6-114, Himayat Nagar, Hyderabad - 500 029 Andhra Pradesh	T + 91 40 23225250 / 7032 / 2166 F + 91 40 23221794 E-mail: hyderabad@rm.beml.co.in
<b>Kolkatta</b> 35/1, Taratalia Road, Kolkatta - 700 088. West Bengal	T + 91 33 24015286 / 87 / 98 / 99 F + 91 33 24015288 E-mail: kolkatta@rm.beml.co.in
<b>Mumbai</b> Rajmahal, 84 Veer Nariman Road, Church Gate, Mumbai - 400 020, Maharashtra	T + 91 22 22042533 / 22049490 F + 91 22 22852633 E-mail: mumbai@rm.beml.co.in
<b>Nagpur</b> 33, Cement Road, Shivaji Nagar, Nagpur - 440 010, Maharashtra.	T + 91 0712 2248435 / 2248343 F + 91 0712 2249997 E-mail: nagpur@rm.beml.co.in
<b>New Delhi</b> Flat EFGH, 'Vandana', 11th Floor, Tolstoy Marg, New Delhi - 110 001	T + 91 11 23310035 / 23316500 F + 91 11 23325085 E-mail: delhi@rm.beml.co.in
<b>Ranchi</b> 206/D-1, Bhagirathi, (Behind NCC Campus), Rameshwaram Colony, Bariatu Road, Ranchi, Jharkhand - 834009	T + 91 651 2540710 / 2540791 F + 91 651 2540624 E-mail: ranchi@rm.beml.co.in
<b>Sambalpur</b> BEML Complex, NH-6, Baraipalli, Sambalpur - 768 150 Orissa.	T + 91 663 2521604 / 2520393 F + 91 663 2521603 E-mail: sambalpur@rm.beml.co.in
<b>Singrauli</b> PB No. 5, Jhingurdha Colliery, Sidhi, Singrauli - 486 889 Madhya Pradesh.	T + 91 7805 268260 / 266668 F + 91 7805 267282 / 318 E-mail: singrauli@rm.beml.co.in

[www.bemlindia.com](http://www.bemlindia.com)

Represented by :

### DISTRICT OFFICES

<b>Ahmedabad</b> 266-1, Dilbaug Villa, Darshan Society Road, Navrangpura, Ahmedabad - 380 009. Gujarat	T + 91 79 26445523 F + 91 79 26423950 E-mail: ahmedabad@rm.beml.co.in
<b>Asansol</b> 3, Burnpur Road, Asansol - 713 304 West Bengal	T + 91 341 2252480 F + 91 341 2250601 E-mail: asansol@rm.beml.co.in
<b>Bacheli</b> Behind Central Stores of NMDC Ltd., Depot 5, Bacheli - 494 553. Chhattisgarh	T + 91 7857 200518 F + 91 7857 230005 E-mail: bacheli@rm.beml.co.in
<b>Bhilai</b> Room No. 22/C, BSP Building, Near Ispat Bhavan, Bhilai - 490 001 Chhattisgarh.	T + 91 788 2223882, 2894721 F + 91 788 2221652 E-mail: bhilai@rm.beml.co.in
<b>Bhopal</b> Ground Floor, Hall No.1, Chittod Complex Zone-1, Maharana Pratap Nagar (MP Nagar) Bhopal - 462 023	T + 91 755 2550711 E-mail: bemlbhopal@gmail.com
<b>Bhubaneswar</b> 252/A, LEWIS Road, Bhubaneswar - 751 014 Orissa	T + 91 674 2434428 T/F + 91 674 2434427 E-mail: bhuvaneshwar@rm.beml.co.in
<b>Chandrapur</b> Mamidwar, Tiles Factory Compound, Ghugus Road, Padoli, Chandrapur - 442 406 Maharashtra	T + 91 7172 287230 F + 91 7172 287072 E-mail: chandrapur@rm.beml.co.in
<b>Cochin</b> No. 55/845, Chittor Road, Ernakulam South Cochin-682 016	T + 91 484 2375138 E-mail: bemlkochi@gmail.com
<b>Guwahati</b> Hegrabari Road, House No. 11, Ganesh Puri, Dispur, Guwahati - 781 006 Assam	T + 91 361 2232966 F + 91 361 2232967 E-mail: guwahati@rm.beml.co.in
<b>Hospet</b> L-8, KSSIDC Industrial Area, Dam Road, Hospet - 583 203 Karnataka	T + 91 8394 223173 F + 91 8394 230172 E-mail: hospet@rm.beml.co.in
<b>Jammu</b> 62C, Block D/C, Gandhi Nagar, Jammu tawi - 180 004 Jammu and Kashmir	T + 91 191 2430447 F + 91 191 2477469 E-mail: jammu@rm.beml.co.in
<b>Kothagudem</b> Old Project Planning Department, Near SCCL Corporate Office, Kothagudem - 507 101, Andhra Pradesh	T + 91 8744 245572 F + 91 8744 245530 E-mail: kothagudem@rm.beml.co.in
<b>Madurai</b> 9-4/49, Kalai Nagar, IInd Main Road, Madurai - 625 017, Tamil Nadu.	T/F + 91 452 2649458 E-mail: madurai@rm.beml.co.in
<b>Neyveli</b> F-4, Rajendraprasad Road, Block-27 Neyveli - 607 803. Tamil Nadu	T/F + 91 4142 268517 E-mail: neyveli@rm.beml.co.in
<b>Goa</b> 67-12, Dattaprasad Building, III Floor, MG Road, Timphoni School, Panjim - 403 001. Goa	T/F 91 832 2225135 E-mail: goa@rm.beml.co.in
<b>Ramagundam</b> Opp. SCCL 11A Mines, Manthani, (PO) Jallaram, GK - 505 184 Karimnagar Dt. Andhra Pradesh	T + 91 8728 248299 F + 91 8728 247423 E-mail: ramagundam@rm.beml.co.in
<b>Udaipur</b> 20-B, Uchhab Bhawan, Bedia Road, Fatehpura, Udaipur - 313 004. Rajasthan	T + 91 294 2452053, 2452055 F + 91 294 2452054 E-mail: udaipur@rm.beml.co.in
<b>Vijayawada</b> District Manager, Mr. Rambabu	Mob. +91 8330930990
<b>Visakhapatnam</b> No. 8-45-11, 4h Lane, China Weltair Colony, Visakhapatnam - 530 003	T/F 0891 2754608 E-mail: vizag@rm.beml.co.in

Form No. BL9H/002/07/2013



बी ई एम एल लिमिटेड  
BEML LIMITED

A Govt. of India Miniratna Company Under Ministry of Defence

Loader From BEML :

BL9H

BL9H(4X4)

B19

BL200-1

BL120H

For BL9H(4x2)

Operating Mass : 7600 Kg

Net Power (Fhp) : 57 kW (76hp) @ 2200 r/min

For BL9H(4x4)

Operating Mass : 7700 Kg

Net Power (Fhp) : 72 kW (96 hp) @ 2200 r/min

[www.bemlindia.com](http://www.bemlindia.com)

# BL9H BACKHOE LOADER

## Salient Features :

### Productivity

Proven diesel engine, torque converter with full power shift transmission giving four forward and three reverse speeds, fully oscillating steerable front axle and rigidly fixed heavy duty planetary rear axle with hub reduction.

### Powerful economical engine

Koel Diesel Engine delivers 57 kW (76 hp) - (4x2)  
BEML Diesel Engine delivers 72 kW (96 hp) - (4x4)  
A direct injection system for reduced fuel consumption and assures high operational economy. The turbo charger allows engine to attain high performance even on high altitude job sites.

### Manueverability

Effortless power steering, optimum combination of travel speed, turning radius and wheel base.

### Easy maintenance

Electronic display and monitoring system helps to prevent minor problems from becoming major ones. Special dust seals for all linkage joints for higher performance and less maintenance.

### Operator comfort

Spacious walk through, FRP top safety cab with two doors, two side windows & sliding rear window, ergonomically arranged controls & instruments and cushioned seat. Excellent visibility ensures easy operating of implements.

### Reliability :

Attention – free wet multiple disc brakes on rear axle wheels. All structures are made of high tensile steel for longer life. The cutting edges, teeth, pins, bushing are highly reliable and durable.



## ENGINE

	BL9H(4x2)	BL9H(4x4)
Make / Model	KOEL 4R1040TC	BEML BSAA4D105C1 / BSAA4D105EG
Type	Turbo charged, 4 cylinder, water cooled, direct injection Diesel Engine	Turbo charged, 4 cylinder, water cooled, direct injection Diesel Engine
Gross Power	57kW (76 hp) @ 2200 r/min	72 kW (96 hp) @ 2200 rpm
Displacement	4.16 ℓ / 4160 cc	4.16 ℓ / 4160 cc
Maximum torque	300 Nm (31 kgm) @ 1500 rpm	375 Nm (38 kgm) @ 1400 rpm
Governor	Mechanical	Mechanical / Electronic controlled
Lubrication	Forced	Forced
Air cleaner	Dry type	Dry type
Electricals	12 V, single battery	12 V, single battery

## TRANSMISSION

Transmission	Full power shift with integral torque converter, 4 forward and 3 reverse speeds, optimally matched with engine. Electro hydraulic controlled direction & range selector
Max. Speed	36 km/h

## AXLES & FINAL DRIVE

	BL9H(4x2)	BL9H(4x4)
Drive System	2 Wheel drive	4 Wheel drive
Front axle	Non drive, steerable	Drive, steerable
Rear axle	On board rigidly fixed to the frame, 100% differential lock with electro hydraulic control	

## BRAKES

Service brake	Hydraulically actuated wet multiple disc brake at rear wheels
Parking Brake	Wet multiple disc electro-hydraulic actuation on axle input pinion.

## STEERING

Steering mechanism	Fully hydrostatic power steering system independent of engine speed.
Relief pressure setting	90 bar (9 Mpa)

## STANDARD EQUIPMENT

12 V starting motor	Front light
90 A alternator	Electric horn
12 V/150 AH battery	Rear view mirror
Dry type air cleaner	All weather steel cab (with safety glass windows, lockable door, Window wiper, room lamp and adjustable seat)
Power Shift Transmission	Tool kit
Suction fan	Portable fire extinguisher
Radiator & oil cooler	

## OPTIONAL ATTACHMENTS

### Loader

Multi purpose bucket  
(6 in 1 operation)  
Fork Lift 1.8 ton  
Jib Crane 1.8 ton  
Material Handling Bucket 1 cu.m

### Backhoe

Bucket 0.09 & 0.18 cu.m,  
Bucket 0.30 & 0.40 cu.m (for Low density)  
Ditch cleaning bucket 0.18, 0.22 & 0.3 cu. m  
Square hole bucket 0.1 cu. m,  
Taper ditching bucket 0.12 cu. m,  
Ripper  
Rock breaker 405 kg  
Jaw Bucket 0.20 cu.m  
Backfill Blade 0.30 cu.m

## TYRES

	BL9H(4x2)	BL9H(4x4)
Front	9.00 – 16, 16 PR – 2 nos.	9.00 – 16, 16 PR – 2 nos.
Rear	16.90 – 28, 12PR – 2 nos. 14.00 – 25, 20 PR (Optional)	14.00 – 25, 20 PR – 2 nos. 16.90 – 28, 12PR (Optional)

## TURNING CIRCLE

A	Outside loader bucket	12.54 m
B	Outside wheels	9.41 m

## HYDRAULICS

Pump Capacity	Gear pump 110 ℓ /min @ 2200 engine r/min	
Relief pressure	210 bar (21 Mpa)	
Loader & Backhoe		

## FILTER SYSTEM

Engine	Two stage fuel filter with water separator
Air intake	Dry type, two stage air cleaner with dust evacuator
Hydraulic	Return line filter in hyd. tank

## MASS (kg)

Operating Mass	BL9H(4x2)	BL9H(4x4)
	7,600 kg	7,700 kg

## REFILL CAPACITY

Hydraulic	90 Litre	Engine oil	11.5 Litre
Fuel tank	135 Litre	Transmission	15 Litre
Engine coolant	14 Litre	Rear Axle	18 Litre
		Front Axle (4x4)	8 Litre

## CABIN CONTROL PANEL

Cabin	Fibre reinforced plastic top, spacious, comfortable & high visibility cabin fitted with 2 doors and 2 side windows, sliding rear window and full safety glasses
Control Panel	Located at easy visibility of the operator. Dashboard has been made into two modules, loader and loader-backhoe to improve operator comfort.

## BUCKET CAPACITY

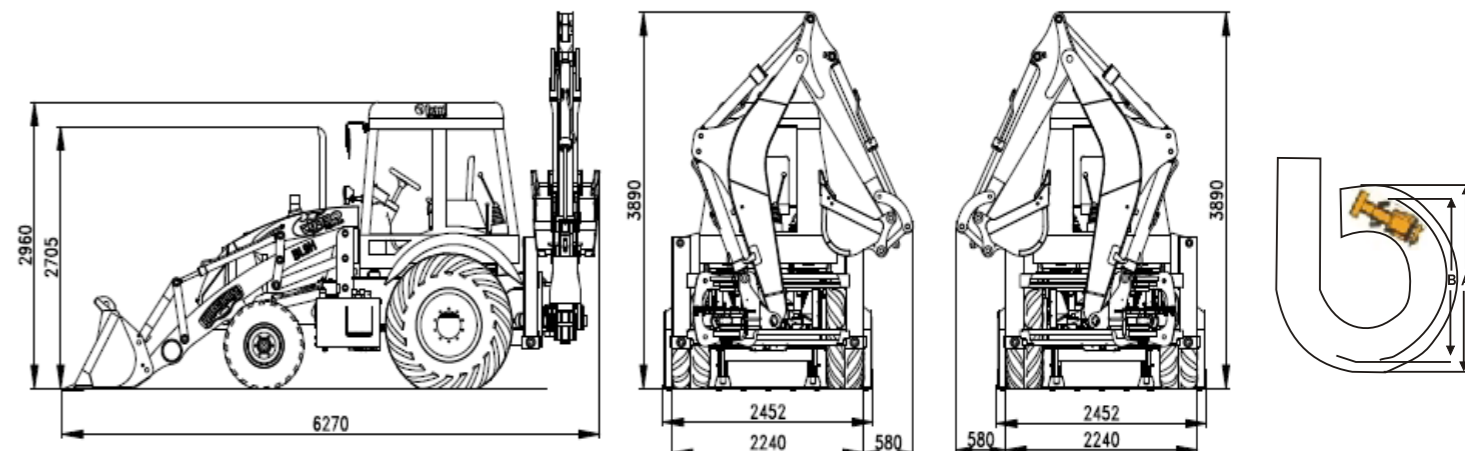
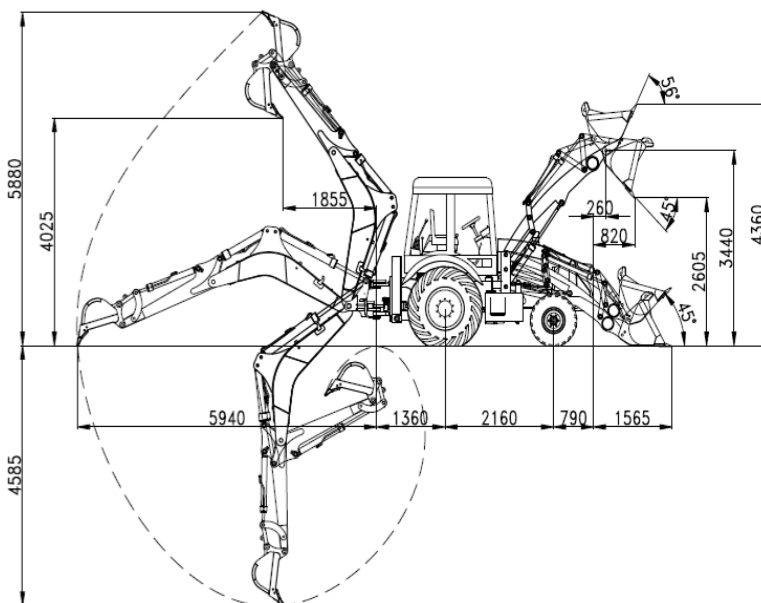
Loader (GP)	1.0 cu. m (SAE rated, heaped)
Backhoe (GP)	0.24 cu. m (SAE rated, heaped)

## LOADER PERFORMANCE

Bucket capacity	1.0 cu. m
Max. Dumping clearance	2605 mm
Operating height (fully raised)	4360 mm
Max. Digging depth	150 mm
Bucket dumping angle	45 Degrees
Bucket Breakout force	57.8 kN
Arm Breakout force	47.0 kN

## BACKHOE PERFORMANCE

Bucket capacity	0.24 cu. m
Max. Dumping clearance	4025 mm
Operating height (fully raised)	5880 mm
Max. Digging depth	4585 mm
Bucket rotation	180 Degrees
Total side shift travel	900 mm
Bucket dig force	54.5 kN
Arm crowding force	30.0 kN



Material and specifications are subject to change without notice, Illustrations may include optional equipment & accessories